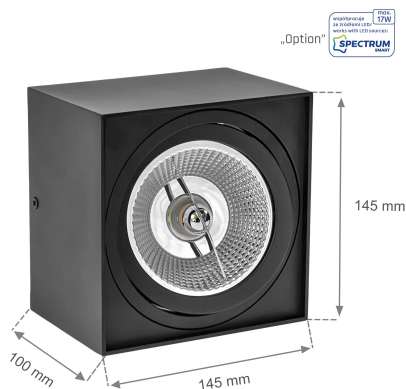


CHLOE AR111 GU10 surface-mounted for replaceable light source



Technical data:

Code	SLIP005039
Voltage	250 V
Protection class	II
Light source included	-
Working temperature range	-20/+40 °
Housing material	Aluminum
Degree of protection (IP)	IP20
Colour	Black
Dimension (AxBxC)	145x145x100 mm
Weight	0.85 kg
For use	Inside
Assembly	On the ceiling
Application	INT
Number of pieces on the packaging	20 pcs.
Made in	PRC
Other	MAX 20W LED; MAX 50W Halogen



Luminaire sold without light source, max 20W LED, max 50W halogen



Additional information:

*AR111 GU10. Luminaire without light source. Adjustable luminaire.

Related documents:

User manual

Declaration of Conformity