

BAREV BL N

Panel LED



$[V]$ 220-240 AC	$[Hz]$ 50	$\frac{lm}{W}$ 95	 ≥ 15000	$[h]$ 20000	 elliptise $\leq 6x$ MacAdam	 Ra 80
 SMD			IP 20		 $[^{\circ}C]$ 5+25	
	 0,5m					

BAREV BL LED N 40W-NW

	 [W]		 [lm]	 [$^{\circ}$]	 T _c [K]	
BAREV BL LED N 40W-NW	31170	40	bílá	3800	110	4000

LED panel (typ "backlite") s výkonem 40W.

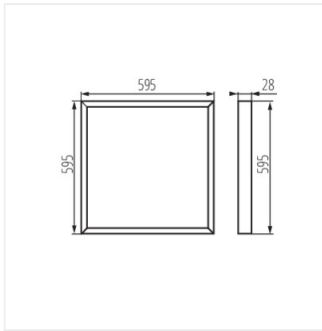
- Materiál korpusu: ocel
- Materiál difuzoru: plast



BAREV BL LED N 40W-NW

BAREV BL N

Panel LED



BAREV BL LED N 40W-NW