

# HB UFO LED

Stropní svítidlo LED high bay



$[V]$ 220-240 AC	$[Hz]$ 50	$[^\circ]$ 110	$\geq 25000$	$[h]$ 20000	ellipse $\leq 6x$ MacAdam	Ra 80
SMD			IP 65		$[^\circ C]$ -20÷40	
			1m		CE	EAC
						UK CA

## HB UFO LED 100W-NW



	$[W]$	$[lm]$	$T_c [K]$	
HB UFO LED 100W-NW <b>31405</b>	100	8500	4000	černá
HB UFO LED 150W-NW <b>31406</b>	150	12600	4000	černá
HB UFO LED 200W-NW <b>31407</b>	200	17000	4000	černá

- Materiál korpusu: hliníková slitina
- Materiál ochranného skla: tvrzené sklo



HB UFO LED 100W-NW



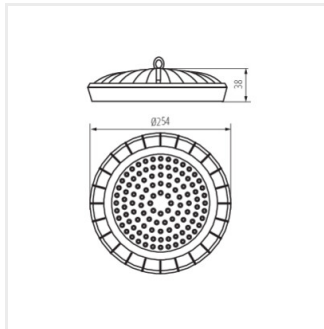
HB UFO LED 150W-NW



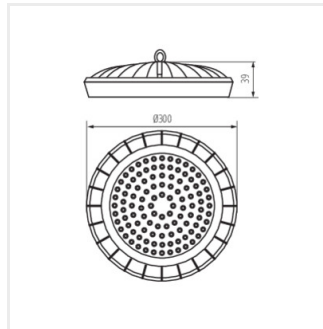
HB UFO LED 200W-NW

# HB UFO LED

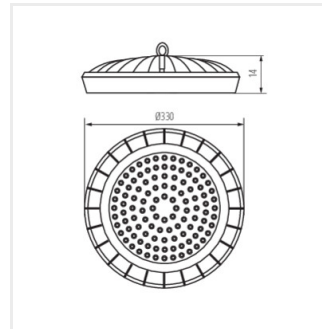
Stropní svítidlo LED high bay



HB UFO LED 100W-NW



HB UFO LED 150W-NW



HB UFO LED 200W-NW